



The complete course is available only in German language.

Training in Systemic Vedic Astrology



Understanding and Influencing the Effect of Time

Astrology is considered the queen of science in Vedic culture. It is also called the „Eye of the Vedas“, because just as the other senses are subordinate to the eye, so all other Vedic areas of knowledge and life depend on and are illuminated by astrology. Vasati and Ayurveda, but also mantras and Vedic ceremonies, are traditionally practiced on the basis of astrological analysis.

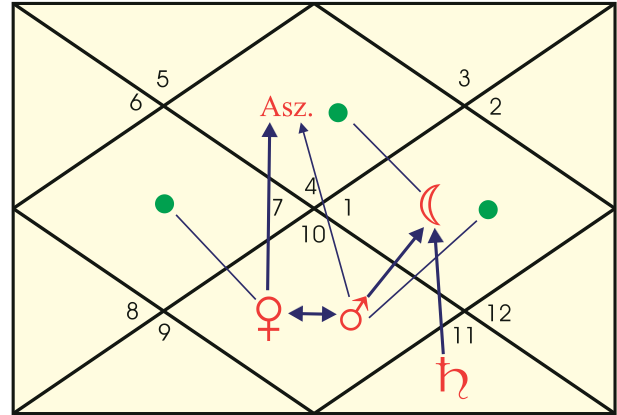


The Jungle of Indian Astrology

For modern man, however, it is hardly possible to learn conventional Indian astrology within a manageable framework. Even the most important basics usually require many years of in-depth study. Even then, the multitude of often conflicting schools and doctrines is confusing. The director of the Vedic Academy, Marcus Schmieke, has dealt intensively with these problems on his own path of several years through the jungle of Vedic astrology. He encountered dozens of astrological systems and teachers both during his journeys to India and while studying the Vedic scriptures. However, none of these systems could satisfy his two most important demands:

1. The system must be applicable in a practically consistent manner.
2. It must be learnable within a manageable period of time.

Only after meeting two important teachers, Prof. V. K. Choudhry and Pandit Sanjay Rath, did this jungle clear up for Marcus Schmieke. Now it was possible for him to combine the teachings of two of the greatest contemporary masters in Vedic astrology into a practical system - a system that can be communicated and understood in one to two weeks and at the same time has a deep spiritual background.



The relationship network of the ascendant - the clear structure of the SVA is shown here



Learn the Basics of Vedic Astrology in 7 Days

With the development of Systemic Vedic Astrology (SVA), a concept has been developed that filters out all marginal factors and concentrates on the essential information of a horoscope. This makes it possible to teach the complete fundamentals needed to use Vedic astrology both in private and professional life.

The special characteristics of Systemic Vedic Astrology are:

- ↳ Concentrating on less than 20% of the information contained in a horoscope provides more than 80% effectiveness in predicting important life events.
- ↳ The complete basics of this system can be learned in the first seven lessons. In the following lessons the specific applications will be taught.
- ↳ For each karmic weakness discovered in a person's chart, effective tools are available to reduce the negative influences and strengthen the positive ones.



Learning Objectives of Astrology Training

In the Systemic Vedic Astrologer training you will acquire the following skills:

- ⌄ To create a complete horoscope in a short period of time
- ⌄ Astrologically predict important events in a person's life
- ⌄ To determine the exact birth time of a human being
- ⌄ Determine the right time for important events
- ⌄ To answer acute questions on the basis of the timing of the question
- ⌄ To recognize karmic tendencies to certain diseases from the horoscope
- ⌄ Propose appropriate remedies

You will also be introduced to the basic version of Prashna, our proprietary Vedic Astrology software (which requires Windows XP or later). As a student at the Vedic Academy, you can purchase the Prashna upgrade levels (Interpretation and Professional modes) at a 30% discount.

The training is also personally helpful for the student. Every day you receive important practical decision-making help, supported by the astral correction tools with which you can also put your own planetary relationships in order. In this way you should experience guiding suggestions for your material and spiritual life.



Applications of Vedic Astrology

Vedic astrology offers a wide range of applications that open up interesting and highly topical areas of life for modern man:



Muhurta - The Power of the Favourable Moment

Muhurta allows you to determine and use the quality of the moment.

According to Vedic understanding, the most important basic conditions of our life are already given by the law of Karma. One of the main goals of Vedic astrology is to recognize and optimally use these conditions for one's own life.

The most effective way of actively shaping one's own destiny and the success of one's private and professional endeavours is to select a favourable time for important de-

isions and events according to astrological criteria. The quality of the moment at which we start a new business, a new relationship or a journey ultimately determines the result and the happiness experienced.

The same applies to the start of construction, the signing of a contract, an application and many other events in life. This is one of the strengths of Systemic Vedic Astrology.

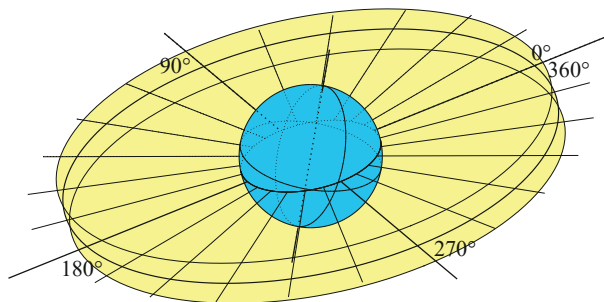
You learn quickly and accurately to recognize the quality of a point in time and in a given period to select the most favorable time for a certain event. This enables you to actively shape both your private and professional destiny.



Prashna - The Horoscope of Questions and Answers

Prashna is the culmination of Vedic astrology. The answer is derived from the time of the question - it is ingenious and proven a thousand times over. A multitude of different concrete questions can be answered astrologically, e.g.

- ⌄ Should I buy this house?
- ⌄ Can I trust this person?
- ⌄ Is this the right partner for me?
- ⌄ Should I get involved with this business?
- ⌄ How will a conflict evolve? Are there good solutions?



The ecliptic of the Earth's orbit forms the basis of all astrological calculations.



Vedic Lunar Astrology

The 27 Nakshatras or lunar houses provide additional insights into the disposition of the mind and the destiny of man. The subtleties of the Vedic lunar calendar help to plan important activities and provide insight into the human psyche.



Medical Astrology

In most cases, attacks and weaknesses of the planets in the horoscope have the effect of diseases and disorders. With Systemic Vedic Astrology you can detect diseases in advance and recommend simple and effective preventive measures. In addition, hidden causes behind symptoms of illness on the psychological or karmic level can be uncovered. This helps to estimate the course of the disease and the chances of recovery.

Especially in Ayurveda, Vedic astrology is almost indispensable. Both areas are regarded as sister sciences that support and complement each other.



Mundan Astrology

Not only the individual development of a person is determined by the horoscope. Also the political and economic development of a state, the business progress of a company or the history of a city can be predicted astrologically from the respective time and place of foundation.

For example, the Vedic astrologer Ron Grimes predicted the events of September 11, 2001 and the tsunami disaster in the Pacific Ocean at the end of 2004 with amazing accuracy. He predicted the time of the American air raid on Kabul in October 2001 one month earlier with an accuracy of three minutes!



Partnership Astrology

In partnership astrology, two horoscopes are compared according to different methods of classical Vedic astrology. Practical advice is offered on how to behave in certain tense situations in order to alleviate or avoid them.

The analysis covers the following topics:

- ⌄ Special emphasis is placed on the analysis of the moon of the two partners in order to make the mutual world of feelings and thoughts more comprehensible to each other.
- ⌄ Analysis of the ascendant and all other planets and their interaction in both horoscopes.
- ⌄ Sudarshan analysis - here the mutual activation of the houses and the associated areas of life is examined.



The Systemic Vedic Astrology (SVA) Logo

- ⌄ Tajika analysis - here methods of other astrology systems are applied to investigate the mutual interaction of the planets.
- ⌄ Kuta-System - through the analysis of the Lunar signs and Lunar Nakshatras of both partners further supplementary or problematic areas are explained.



Spiritual Astrology

One of the greatest strengths of Vedic astrology compared to Western astrology is its deep anchoring in the oldest spiritual culture of mankind. The spiritual path of a person is reflected in the horoscope and can be supported by simple means based on the planetary position.

Spiritual life is an individual matter. Vedic astrology helps to find the individual spiritual path and supports it through specific mantras, yantras and meditations. Here, too, the determination of favorable times for meditations, initiations, spiritual ceremonies is of great use.



Training as a Systemic Vedic Astrologer opens up a diverse and fascinating professional fields of application for you:



Astrological Life Counselling

The need for qualified life counselling is increasing more and more in today's uncertain times. We provide you with the necessary tools for this.

You can either offer your astrological services through successful internet platforms or win your customers through lectures, small ads and word of mouth. Some of our students have built up a successful full-time or part-time careers in this way.



Astrological Management Consulting

Nowadays astrological consulting is almost indispensable in the business sector as well. Successful business people and politicians worldwide consult astrologers in order to build their businesses on a successful foundation. This includes areas of application such as:

- ⌄ Determining favourable times for signing a contract and opening businesses
- ⌄ Forecast the development of important investments such as share purchases, company takeovers, etc.
- ⌄ Support important decisions.



Astrology in the Therapeutic Field

One of the most important applications of astrology is in the therapeutic field. Doctors, naturopathic practitioners, Ayurveda therapists, psychologists, psychiatrists, educators, spiritual healers and people in comparable professions find valuable support in astrological counselling for the benefit of the people they care for.

Examples are the determination of favourable therapy times, the recognition of disease predispositions from the horoscope and the recommendation of preventive and supportive astrological measures.

Medical diagnostics is one of the main strengths of Systemic Vedic Astrology.



Your Supervisor: Uwe Spira

During your astrology studies you will be competently and personally supervised by our training manager Uwe Spira.



Uwe Spira was born on 8 May 1957 in Andernach am Rhein. The spiritual religious background of his family led him during his childhood and youth on the search for a transcendent reality besides the material existence of earthly life. In 1979 he encountered the tradition of Bhakti Yoga and Mantra Meditation, which had a

decisive influence on his future path. Initiated in this tradition, he intensively studied the Vedic (Bhakti) scriptures. There he found inner development and growth. His conclusion did not lie in a withdrawn life, but in a synthesis of everyday life and spirituality. In 1988 he encountered Vedic astrology, which aroused great interest and enthusiasm in him. Between the years 2000 and 2002 he successfully completed the Vasati studies and the Vedic Astrology studies at the Vedic Academy and since 2004 he has been practicing the acquired knowledge of both areas independently to the great satisfaction of his clientele.

Uwe about his work: *„The confrontation with Vedic philosophy has decisively shaped my life and led me on a journey of inner growth. During my studies under the guidance of my long-time friend and companion Marcus Schmiede I found the synthesis of Vedic wisdom and new physics.*

Our life in this material cosmos is subject to the laws of space and time. To live a successful life without tension it is necessary to ask for information and advice about the individual relationship to the spaces you are in and the quality of the time you have at your disposal“.



SVA 1	
L 1	<ul style="list-style-type: none"> Signs, houses and planets Use of the Prashna software Basics of Vedic Astrology and Astronomy Western and vedic astrology Elements of a horoscope The spiritual meaning of the planets
L 2	<ul style="list-style-type: none"> The qualities of the planets, houses and signs Spiritual meaning of the signs of the zodiac
L 3	<ul style="list-style-type: none"> The functional nature of planets The astrology hub The significations of the planets, houses and signs Effect of planets on planets and houses Aspects, Attacks and Conjunctions Spirituality in the horoscope
L 4	<ul style="list-style-type: none"> The strength of the planets How do you determine the strength of a planet? The interaction between the strength and functional nature of the planets Conjunctions and Aspects Various types of weakening of the planets
L 5	<ul style="list-style-type: none"> Harmonious subcharts of 12 houses Own horoscope for different areas of life Charts for wealth, health, children, life span, marriage, relationships, profession etc. Placement of the karmic axis (Rahu and Ketu)
L 6	<ul style="list-style-type: none"> The temporal determination of events Planetary periods The Nakshatras - Vedic lunar astrology
L 7	<ul style="list-style-type: none"> The systematic analysis of a horoscope Ten steps to the interpretation of a horoscope Examples of horoscope interpretations

SVA 2	
L 8	<ul style="list-style-type: none"> Basics of Medical Astrology How to find health problems Medical significations of planets, houses and signs Determination of the Ayurvedic Constitution
L 9	<ul style="list-style-type: none"> Character and behavior analysis How to determine the character or the general behaviour of a person, their relatives, and their family members from the horoscope? Birth time correction
L 10	<ul style="list-style-type: none"> Corrective and counter-measures for astrological attacks in the horoscope The five main means of correction Mantras, colours, gems, number-Yantras, active compassion Spiritual affirmations to strengthen and transform the planets
L 11	<ul style="list-style-type: none"> Muhurta - The determination of the right moment How do you determine convenient times for important events in life, such as weddings, contracts, start of construction, start of therapies, etc.? Mundan Astrology Principles (Politics, Finance and World History)
L 12	<ul style="list-style-type: none"> Advanced analytical method How to determine the events to be expected for any given period in the future Advanced analysis method for determining an event horizon for individual days, weeks, months and years Prashna: Answering current questions without a birth horoscope

Overview of the Distance Learning Course SVA 1+2	
Basic Studies (SVA 1)	<ul style="list-style-type: none"> ↳ Lessons 1-7 in the Textbook ↳ The lessons are accompanied by a DVD.
Project Work	↳ Processing of five specific horoscopes, which are sent in and corrected in writing.
Advanced Studies (SVA 2)	↳ Lesson 8-12 in the Textbook
Certificate	↳ Upon successful completion of the two training courses SVA 1+2 you will receive the certificate „Systemic-Vedic Astrologer“.
Duration of Study	<ul style="list-style-type: none"> ↳ Basic and advanced studies last 6 months each. ↳ As a rule, eight to ten hours per week are sufficient to keep to the timetable. ↳ Supervision for a further 3 months is possible without additional payment.



Marcus Schmieke

Marcus Schmieke, born 1966 in Oldenburg, is a pioneer of Vastu in Europe with his numerous books, and the founder of Vasati. After his studies of physics and philosophy in Hanover and Heidelberg and his initiation into a Vedic student succession, he undertook longer journeys to India. There he studied Vastu, Vedic Astrology, Sanskrit and Vedic Philosophy and Metaphysics in various monasteries. He completed his Vastu studies with honors at the prestigious South Indian Institute [Vastuvidyapratisthanam](#). He learned Vedic astrology from various masters of Northern India.

In 1994 Marcus Schmieke co-founded the journal *Tattva Viveka* as a forum for science, philosophy and spiritual culture. This was followed by various book publications on natural science, life processes and consciousness. Important works from this period are *Das letzte Geheimnis* (1995), *Das Lebensfeld* (1997) and *Feinstoffliche Energien in Naturwissenschaft und Medizin* (1997).

With the founding of the Vedic Academy at Schloss Weißenstein in 1996, he created an [Institute for the Integration of Science and Spirituality](#) that made a name for itself beyond the borders of Germany. Since 1998, the research and teachings of the Vedic Academy have concentrated primarily on Vasati, Ayurveda, Sanskrit and Vedic Astrology (Jyotish). In these areas, numerous training courses and distance learning courses have been developed.

In 2002, the [International Institute for Predictive Astrology](#) (Fairfield, USA) appointed Marcus Schmieke President of the German Department. The Institute empowered him to train and certify in Systemic Vedic Astrology.

From 2001 to 2004, together with a group of architects, he planned a Vasati housing estate for Gartenheim, a housing cooperative in Hanover with more than 100 residential units, which was completed at the beginning of 2005. During the same period, he also implemented Vasati in the construction of more than 100 new residential buildings, Ayurveda clinics, nursing homes for the elderly, hotels, production buildings, commercial buildings and in the redesign and correction of equally as many buildings.

Also in 2004, he founded the [European Academy of Vedic Sciences](#), which teaches Vedic sciences worldwide via the Internet and local seminars in local languages.

Marcus Schmieke's most comprehensive Vasati book *Die Kraft lebendiger Räume* (The Power of Living Space) has become a Vastu standard work in German. In his book *Die 12 Erfolgsgesetze des richtigen Wohnens* (The 12 Laws of Success of Proper Living), he formulated, for the first time, an open system of architecture based on twelve universal laws of nature. On this basis he developed the first Vasati training course and the first Vastu distance learning course in Europe. His seven books on this subject have been translated into more than 15 languages and have been published in India, the country of the origin of Vastu.

Marcus Schmieke has also intensively researched and published about Vedic astrology. With his textbook on Systemic Vedic Astrology *Vedische Astrologie in 7 Tagen* (Vedic Astrology in 7 days), he combines the teachings of two contemporary masters of Vedic astrology, Prof. V.K. Choudhry and Pandit Sanjay Rath, into a practical system that can be communicated and understood in one



to two weeks and at the same time has a deep spiritual background.

His books *Dein kosmischer Bodyguard* (Your Cosmic Bodyguard), *Das Edelsteinorakel* (The Gem Oracle) and *Planetenessenzen* (Planetary Essences) focus on the practical application of Vedic astrology in life.

Marcus Schmieke is also regarded as the inventor and founder of TimeWaver. This is based on an extensive information field analysis and opens up various integrative methods, which are presented at information events, in courses and at congresses. The insights that Marcus Schmieke has gained from his many years of involvement with the various therapy methods are summarized and communicated in the Time Wave System. This system is now used by thousands of therapists and users worldwide.

After more than 20 books on scientific and Vedic topics, Marcus Schmieke has written *Der zweite Weg* (The Second Path) and *Follow the Inner Path* (Den inneren Weg gehen) in recent years, in which he brings together the great themes of his work and relates them to the holistic development of man.